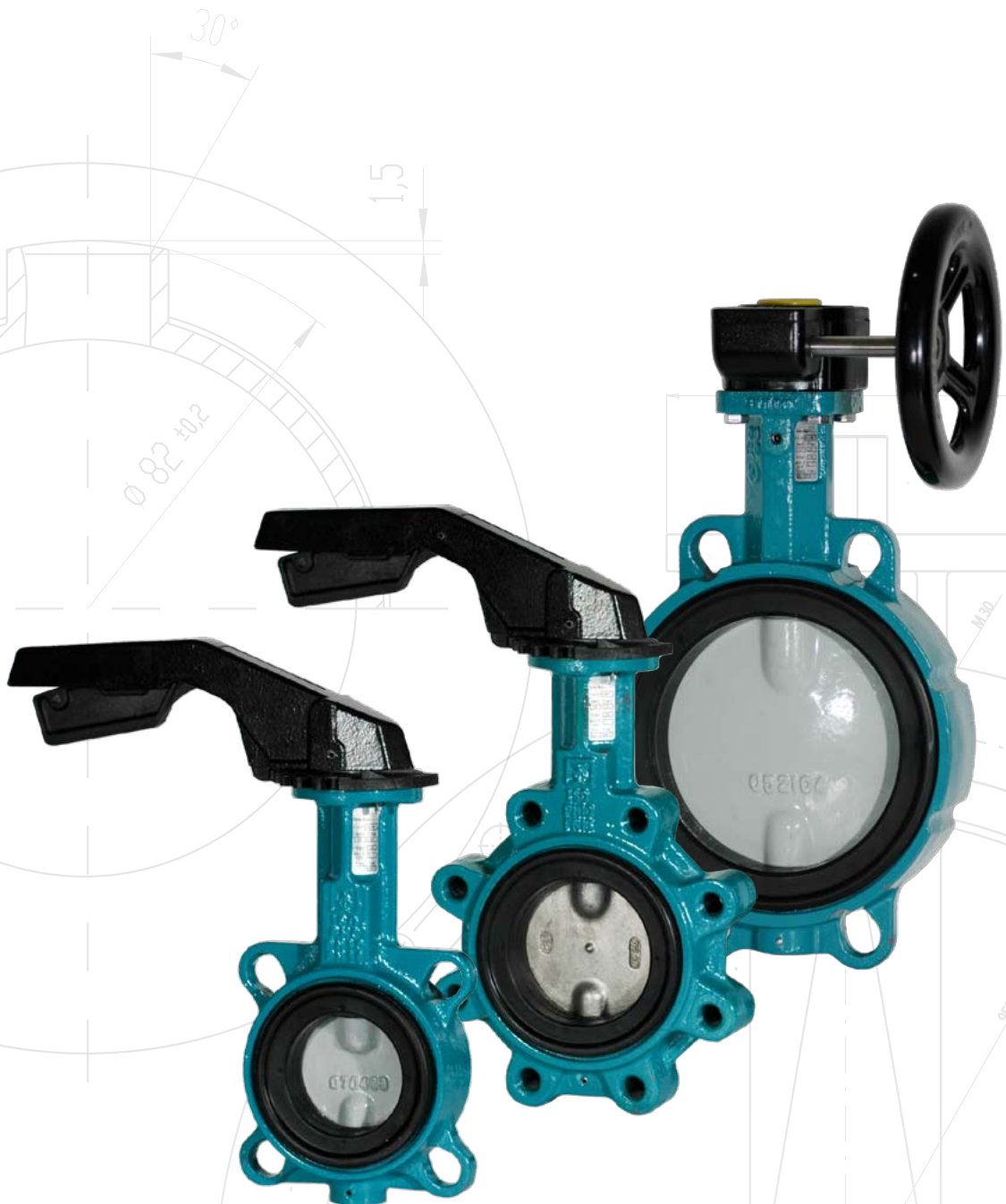


AQUARIA

Butterfly valve DN32-300

Where cost efficiency and quality
meets your demand





CE

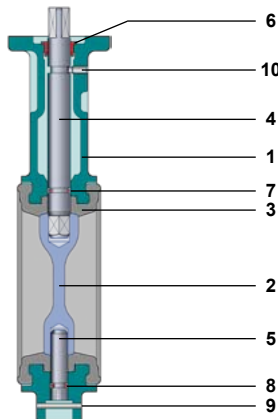
AQUARIA

Butterfly valve DN32-300

● Characteristics:

AQUARIA	Centric butterfly valve with elastomer liner	
Application fields	Building services, swimming pools and irrigation	
Body construction	A1C Wafer DN 32-300 	A3C LUG DN 32-300 
Face to face dimension	according ISO 5752/20, EN 558/1-20	
Top flange	according EN ISO 5211	
Max. working pressure	DN32-150 16bar, DN 200-300 10 bar	
Rating	PN6, PN10, PN16, ANSI cl. 150	
Temperature range	-10°C + 130°C according to materials and working conditions	
Hydraulic test	according to DIN 3230/part 3 BN leakage rate 1, tightness test 1,1 x PN	
CE	The butterfly valves AQUARIA meet the safety requirements of the pressure Equipments Directive 97/23/EC (PED) appendix 1 for fluids of the groups 1 and 2.	

● Construction:



		DN32/40	DN50-150	DN200-300
1	Body Epoxy coated	A1C	ENGJS-400	ENGJL-250
		A3C	ENGJS-400	ENGJS-400
			ENGJS-400	ENGJS-400
2	Disc	EN-GJS-400-15 Epoxy coated or 1.4408 (AISI316)		
3	Liner	EPDM HT / NBR		
4	Upper shaft	1.4021 (AISI 420)		
5	Lower shaft	1.4021 (AISI 420)		
6	Bushing	DELRIN		
7+8	O-Ring	NBR		
9	Pin	Stainless steel		
10	Screw	Stainless steel		

● Key code:

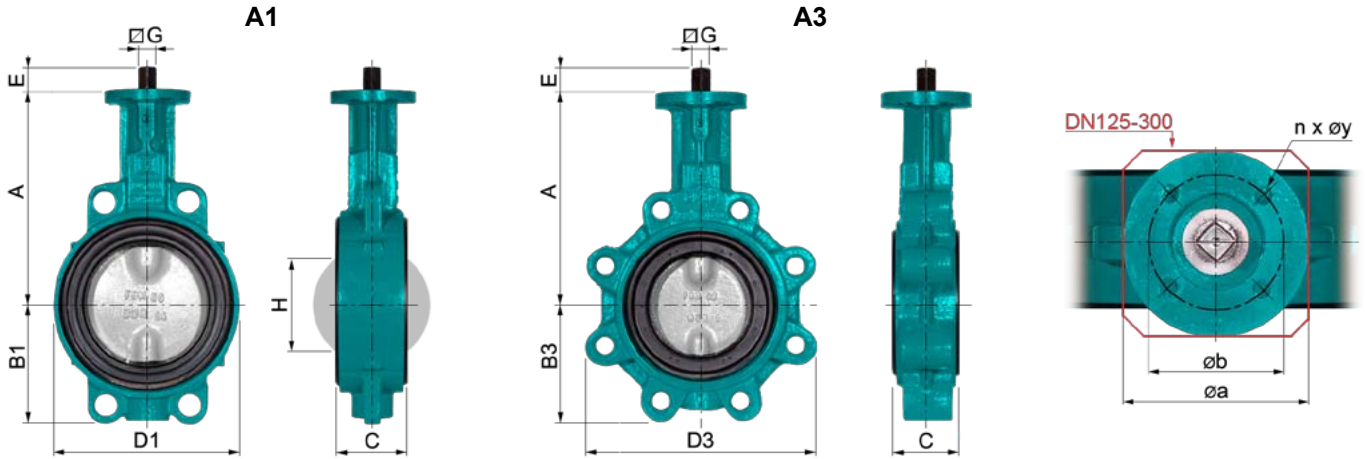
A1C **100** . **33** - **1AE** . **4A** . **2AE** . **EC**
① ② ③④ ⑤ ⑥ ⑦ ⑧

① Body construction	A1C	Wafer	DN32-300
	A3C	LUG	DN32-300
② Diameter	032-300 mm		
③ Working pressure	2	10 bar	DN200-300
	3	16 bar	DN32-150
④ Rating	for A1C Wafer		
	3	PN6/10/16, ANSI cl. 150	DN32-300
	for A3C Lug		
	2	PN10	DN200-300
	3	PN10/16	DN32-150
⑤ Body	1AE	Cast iron EN-GJL-250 (GG-25), Epoxy coated	A1C Wafer DN50-150
	2AE	Ductile iron EN-GJS-400-15 (GGG-40), Epoxy coated	A3C Lug DN32-300 A1C Wafer DN32/40, 200-300
⑥ Shaft	4A	Stainless steel 1.4021, (AISI420)	
⑦ Disc	2AE	Ductile iron EN-GJS-400-15 (GGG-40), Epoxy coated	DN50-300
	4C0	Stainless steel 1.4408, (AISI316)	DN32-300
⑧ Liner	EC	EPDM HT (-10°C ... 130°C)	
	N	NBR (-10°C ... 90°C)	

AQUARIA

Butterfly valve DN32-300

• Dimensions:



DN	A	B1	B3	C	D1	D3	H	E	G	ISO 5211	a	b	n x øy	kv[m³/h]	[kg]A1	[kg]A3
32	136	54	54	33	78	108	22,5	25	11	F05	70	50	4 x 7	50	2,1	2,2
40	136	54	54	33	78	108	22,5	25	11	F05	70	50	4 x 7	50	2,1	2,2
50	146	64	64	43	96	116	24,5	25	11	F05	70	50	4 x 7	100	2,7	3,1
65	153,5	72	72	46	113	128	45	25	11	F05	70	50	4 x 7	210	3,2	3,7
80	163	88	79	46	128	174	65	25	11	F05	70	50	4 x 7	360	3,6	4,6
100	172,5	98	101	52	150	194	85	25	14	F05	70	50	4 x 7	650	4,6	5,8
125	192,5	119	119	56	184	224	111	25	14	F07	70	70	4 x 9	1050	7,9	9,1
150	205	129	129	56	212	254	138	25	14	F07	70	70	4 x 9	1770	9,2	11,2
200	234	166	166	60	268	320	190	25	17	F07	70	70	4 x 9	3400	13,5	15,5
250	300	202	202	68	320	386	243	30	22	F10	125	125	4 x 10,5	5090	22,3	28,7
300	340	237	237	78	378	454	292	30	22	F10	125	125	4 x 10,5	7360	28,7	40,3

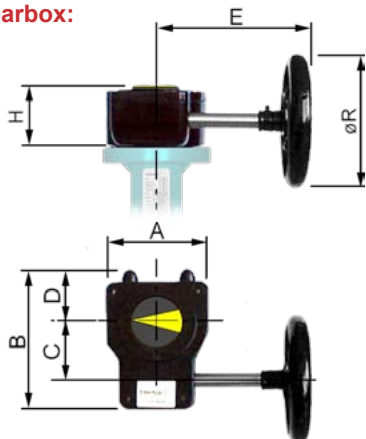
• Handlever:



Aluminium, Epoxy coated

DN		L	H	(kg)
32-80	HLA.F0511.200	200	76	0,4
100	HLA.F0514.275	275	76	0,5
125-150	HLA.F0714.275	275	76	0,5
200	HLA.F0717.340	340	45,5	0,6

• Gearbox:



Aluminium, Polyurethan coated

DN		A	B	C	D	E	H	øR	n*	(kg)
32-80	GB232-05.F05-F0711.100	80	114	42,5	48	121	53	100	10	0,8
100-150	GB232-05.F05-F0714.100	80	114	42,5	48	121	53	100	10	0,8
200	GB232-06.F05-F0717.160	80	114	42,5	48	179	59	160	10	0,9
250-300	GB232-08.F10-F1222.250	100	131	50	56	209	67	250	9,25	1,55

* n = Handwheel turns ON/OFF

• Further documentation:

Pneumatic actuators, Electric actuators, Accessories
according separate data sheets.

• Important guides:

Installation guide, Maintenance guide, Flanges

Please consult these guides for the installation and maintenance of our butterfly valves.

FLUIDS UNDER CONTROL



Switzerland

InterApp AG
Grundstrasse 24
CH-6343 Rotkreuz

Tel. +41 (0)41 798 22 33
Fax +41 (0)41 798 22 34
info@ch.interapp.net

Germany

InterApp Deutschland GmbH
Hochsträss 3
D-78727 Oberndorf am Neckar

Tel. +49 (0)771 896689 30
Fax +49 (0)771 896689 35
info@ch.interapp.net

Austria

InterApp Ges.m.b.H.
Kolpingstraße 19
A-1230 Wien

Tel. +43 (0)1 616 23 71 0
Fax +43 (0)1 616 23 71 99
info@at.interapp.net

Spain

InterApp Válvulas S.A.
Juan Ramón Jiménez, 16
E-28860 Paracuellos de Jarama

Tel. +34 (0)91 6584883
Fax +34 (0)91 6581430
info@es.interapp.net

Italy

InterApp Italiana S.r.l.
Via A. Gramsci 29
I-20016 Pero (Milano)

Tel. +39 02 33937 1
Fax +39 02 33937 200
info@it.interapp.net

Hungary

InterApp Kft
Bécsi út 100
H-1034 Budapest

Tel. +36 (1) 436 9702
Fax +36 (1) 436 9700
info@hu.interapp.net

The technical data are noncommittal and do not assure you of any properties. Please refer to our general sales conditions. Modifications without notice.