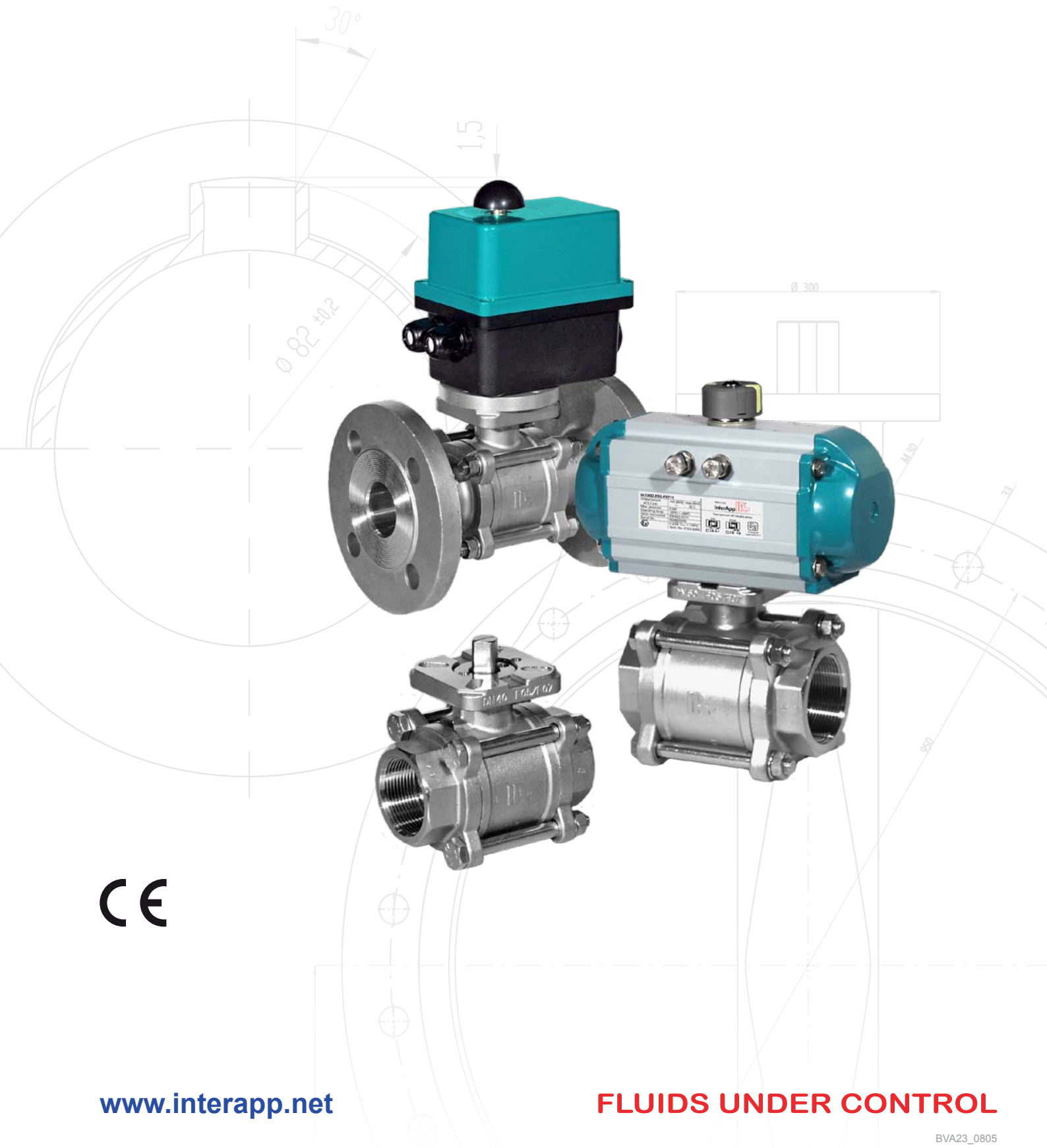


BVA23 1/4" - 4"






Ball valve with top flange, stainless steel, three-piece body



CE

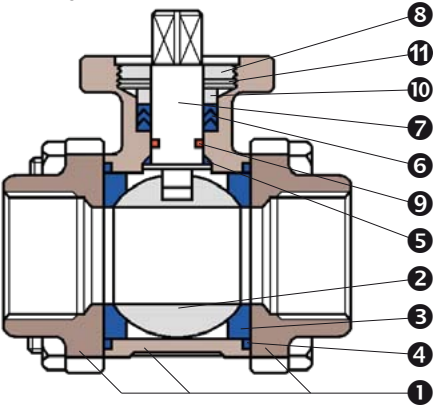
BVA23 Ball valve (stainless steel, 3-piece body) 1/4" - 4"

● Characteristics:

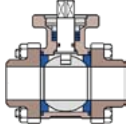
BVA23	Stainless steel ball valve with 3-piece body, full bore, top flange for mounting of actuator			
Connection	threaded ends DIN EN 10226-1, Rp1/4" - 4" BVA23FT	butt weld ends DN10-100 BVA23FB	butt weld ends long DN15-100 BVA23FL	flanged ends PN40 DN15-100 BVA23FF
				
Face to face dimension	DIN 3202-M3	DIN 3202-S13	-	DIN 3202-F1
Max. working pressure	63 bar	63 bar	63 bar	40 bar
Temperature range	-10°C + 160°C, Versions for lower temperatures on request			
	The ball valves BVA23 meet the safety requirements of the pressure Equipments Directive 97/23/EC (PED) appendix 1 for fluids of the groups 1 and 2.			

● Construction:

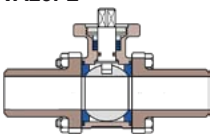
BVA23FT



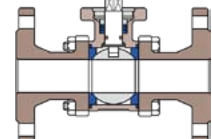
BVA23FB



BVA23FL

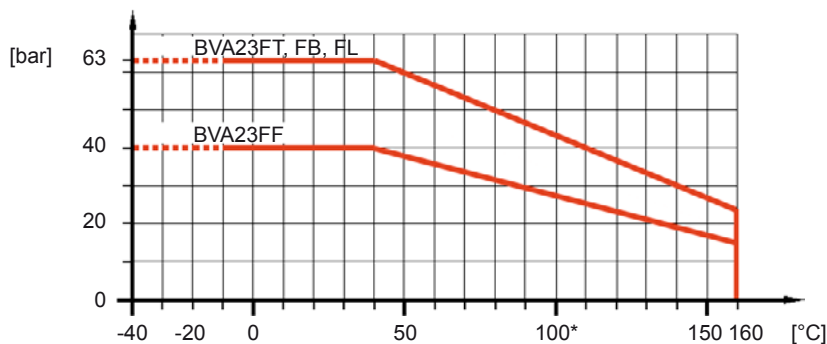


BVA23FF



1	3-piece body	CF8M (1.4408)
2	Ball	AISI 316 (1.4401)
3	Seat ring white (standard)	PTFE
	Seat ring grey (for steam)	PTFE+15% glass fibre +5% carbon
4	Seal ring	PTFE
5	Washer	PTFE
6	Stem seal self-adjusting with bevel washer (for approx. 30.000 cycles)	PTFE
7	Stem	AISI 316 (1.4401)
8	Gland nut	AISI 304 (1.4301)
9	Seal ring	Viton
10	Gland ring	AISI 304 (1.4301)
11	Bevel washer	Spring steel

● Pressure / temperature diagram:



* For temperatures >100°C a mounting bracket with adapter is mounted between ball valve and actuator.

For applications with steam:

- use seat ring „S“ 80% PTFE + 15% glass fibre + 5% carbon

- $t_{max} = 160^{\circ}\text{C}$, $p_{max} = 5 \text{ bar}$

BVA23 Ball valve (stainless steel, 3-piece body) 1/4" - 4"

• Code key:

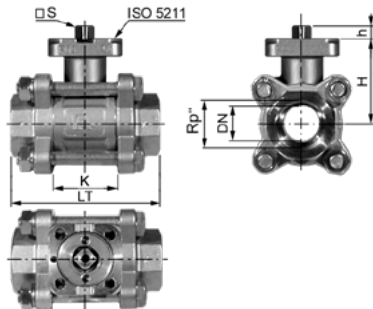
BVA 23 FT . 014 . SST

① ② ③ ④ ⑤ ⑥ ⑦

① Type	BVA	Ball valve with top flange
② Construction	23	2/2 ways, two-piece body
③ Bore	F	Full bore
④ Connection	T	Threaded ends DIN EN 10226-1 (DIN 2999)
	B	Buttweld ends
	L	Buttweld ends long
	F	Flanged ends PN40
⑤ Size	014-400	Rp 1/4" - 4"
	015-100	DN15-100 (BVA23FF)
⑥ Materials body / ball	S	Body stainless steel CF8M (1.4408)
	S	Ball stainless steel AISI 316 (1.4401)
⑦ Materials seat ring	T	Seat ring white (standard) PTFE
	S	Seat ring grey (for steam) PTFE +15% glass fibre +5% carbon t _{max} = 160°C, p _{max} = 5 bar

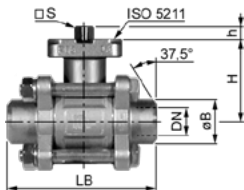
• Dimensions:

BVA23FT



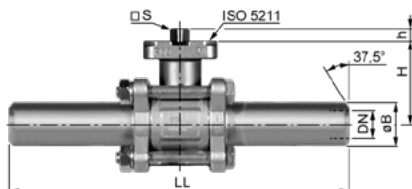
	Rp"	DN	LT	H	K	h	S	ISO	k _v [m ³ /h]	kg
BVA23FT.014.SST	¼	10	60	40	21	7	9	F03+04	8,6	0,35
BVA23FT.038.SST	⅜	12	60	40	21	7	9	F03+04	21	0,40
BVA23FT.012.SST	½	15	75	40	26	7	9	F03+04	35	0,65
BVA23FT.034.SST	¾	20	80	44	33	9	9	F03+04	46	0,80
BVA23FT.100.SST	1	25	90	52	39	12	11	F04+05	72	1,20
BVA23FT.114.SST	1¼	32	110	58	51	12	11	F04+05	105	1,95
BVA23FT.112.SST	1½	40	120	68	58	16	14	F05+07	170	2,75
BVA23FT.200.SST	2	50	140	72	71	16	14	F05+07	275	4,50
BVA23FT.212.SST	2½	65	185	98	77	19	17	F07+10	507	8,90
BVA23FT.300.SST	3	80	205	110	105	19	17	F07+10	905	12,9
BVA23FT.400.SST	4	100	240	138	130	24	22	F10	1414	22,5

BVA23FB



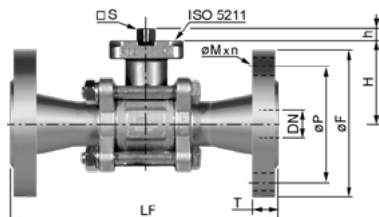
		DN	øB	LB	H	h	S	ISO	k _v [m ³ /h]	kg
BVA23FB.014.SST	¼	10	20	70	40	7	9	F03+04	8,6	0,35
BVA23FB.038.SST	⅜	12	20	70	40	7	9	F03+04	21	0,40
BVA23FB.012.SST	½	15	23	75	40	7	9	F03+04	35	0,65
BVA23FB.034.SST	¾	20	28	90	44	9	9	F03+04	46	0,80
BVA23FB.100.SST	1	25	34	100	52	12	11	F04+05	72	1,20
BVA23FB.114.SST	1¼	32	41	110	58	12	11	F04+05	105	1,95
BVA23FB.112.SST	1½	40	49	125	68	16	14	F05+07	170	2,75
BVA23FB.200.SST	2	50	62	150	72	16	14	F05+07	275	4,50
BVA23FB.212.SST	2½	65	78	190	98	19	17	F07+10	507	8,90
BVA23FB.300.SST	3	80	94	220	110	19	17	F07+10	905	12,9
BVA23FB.400.SST	4	100	125	270	138	24	22	F10	1414	22,5

BVA23FL



		DN	øB	LL	H	h	S	ISO	k _v [m ³ /h]	kg
BVA23FL.012.SST	½	15	23	225	40	7	9	F03+04	35	0,72
BVA23FL.034.SST	¾	20	28	225	44	9	9	F03+04	46	0,88
BVA23FL.100.SST	1	25	34	245	52	12	11	F04+05	72	1,32
BVA23FL.114.SST	1¼	32	41	255	58	12	11	F04+05	105	2,15
BVA23FL.112.SST	1½	40	49	260	68	16	14	F05+07	170	3,03
BVA23FL.200.SST	2	50	62	275	72	16	14	F05+07	275	4,95
BVA23FL.212.SST	2½	65	78	335	98	19	17	F07+10	507	9,79
BVA23FL.300.SST	3	80	94	355	110	19	17	F07+10	905	14,2
BVA23FL.400.SST	4	100	125	365	138	24	22	F10	1414	24,8

BVA23FF



	DN	øF	øP	T	øMxN	LF	H	h	S	ISO	k _v [m ³ /h]	kg
BVA23FF.015.SST	15	95	65	16	14x4	130	40	7	9	F03+04	35	2,45
BVA23FF.020.SST	20	105	75	18	14x4	150	44	9	9	F03+04	46	3,50
BVA23FF.025.SST	25	115	85	18	14x4	160	52	12	11	F04+05	72	4,70
BVA23FF.032.SST	32	140	100	18	18x4	180	58	12	11	F04+05	105	5,90
BVA23FF.040.SST	40	150	110	18	18x4	200	68	16	14	F05+07	170	7,80
BVA23FF.050.SST	50	165	125	20	18x4	230	72	16	14	F05+07	275	11,3
BVA23FF.065.SST	65	185	145	22	18x8	290	98	19	17	F07+10	507	16,9
BVA23FF.080.SST	80	200	160	24	18x8	310	110	19	17	F07+10	905	23,9
BVA23FF.100.SST	100	235	190	24	22x8	350	138	24	22	F10	1414	34,9

Further documentation:

Pneumatic actuators, electric actuators, accessories according separate data sheets
 You can find most of these documents as well as the declaration of conformity and other certificates in several languages under „DOWNLOAD“ at our homepage



Switzerland

InterApp AG
Grundstrasse 24
CH-6343 Rotkreuz

Tel. +41 (0)41 798 22 33
Fax +41 (0)41 798 22 34
info@ch.interapp.net



Austria

InterApp Ges.m.b.H.
Kolpingstraße 19
A-1230 Wien

Tel. +43 (0)1 616 23 71 0
Fax +43 (0)1 616 23 71 99
info@at.interapp.net



Italy

InterApp Italiana S.r.l.
Via A. Gramsci 29
I-20016 Pero (Milano)

Tel. +39 02 33 93 71
Fax +39 02 33 93 7200
info@it.interapp.net



Spain

InterApp Válvulas S.A.
Igarsa 40
E-28860 Paracuellos de Jarama

Tel. +34 (0)91 6584360
Fax +34 (0)91 6581430
info@es.interapp.net



Hungary

InterApp Kft
Bécsi út 100
H-1034 Budapest

Tel. +36 (1) 436 9702
Fax +36 (1) 436 9700
info@hu.interapp.net



The technical data are noncommittal and do not assure you of any properties. Please refer to our general sales conditions.

Modifications without notice

Copyright © by InterApp