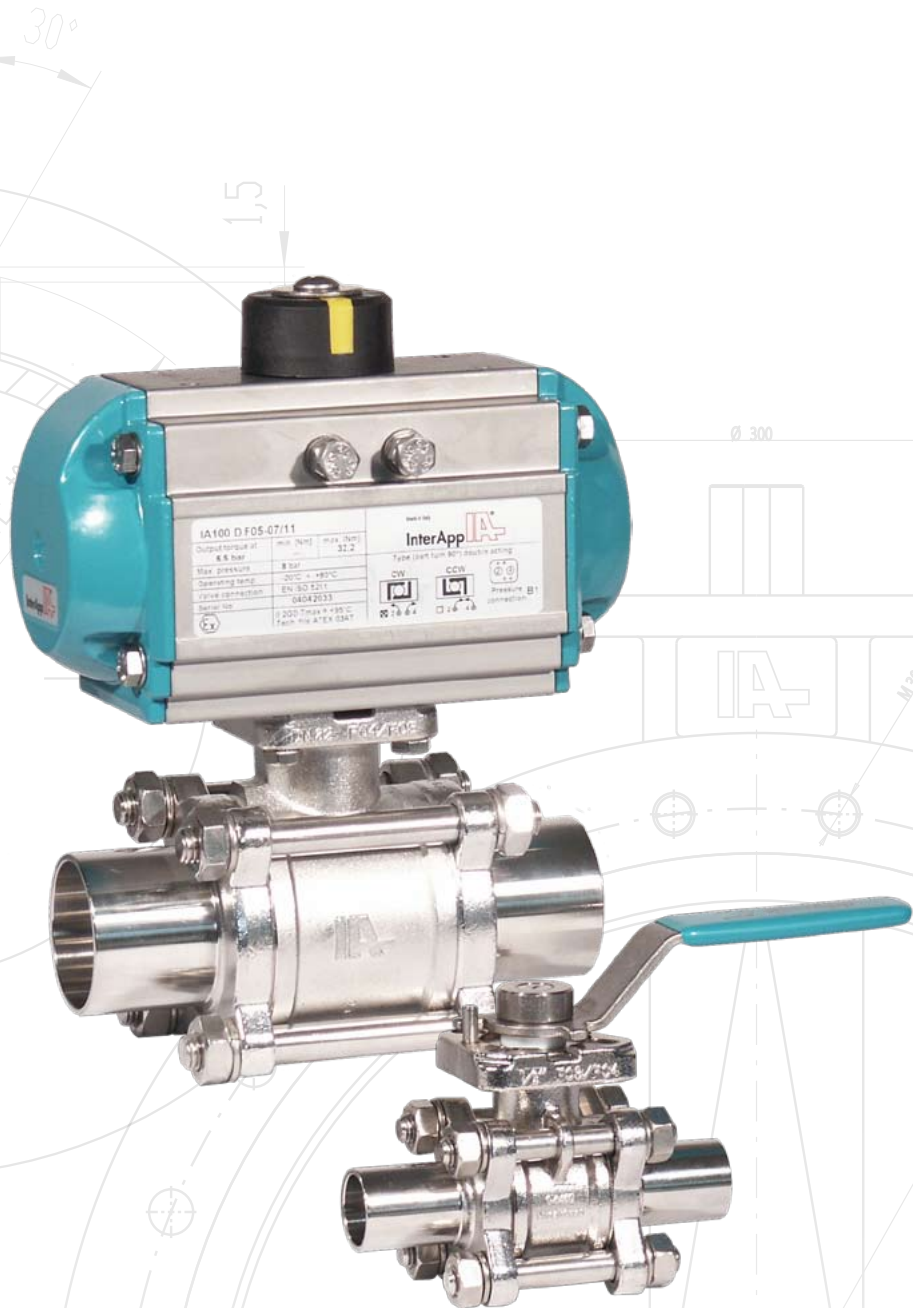


BVP DN10-100

Ball valve for Pharma, Food and Biotech



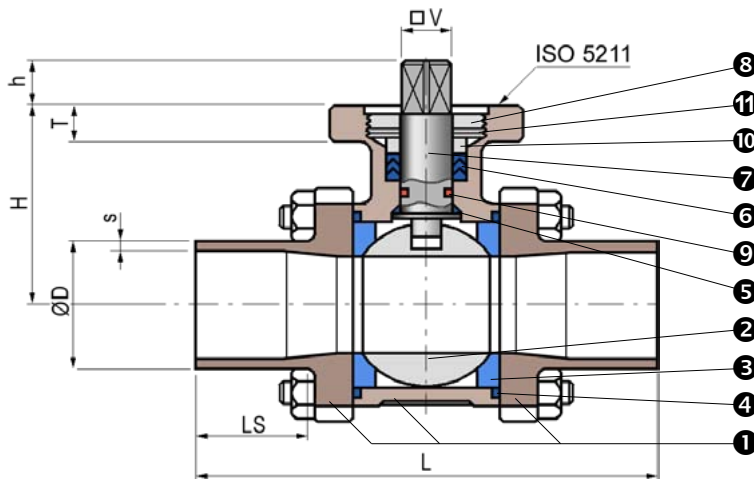
CE

BVP Ball valve for Pharma, Food and Biotech DN 10-100

● Characteristics:

Connection	Buttweld ends according to EN ISO 1127, DN10-100 (¼" - 4"), Length of buttweld ends suitable for orbital welding. Other connection standards on request.
Materials and surface	Stainless steel 1.4435 / inside 0,8 µm mechanical polished, outside electrical polished
Seals	PTFE FDA-conform <150°C PTFE-SS (metal reinforced) FDA-conform, for steam and temperatures >150°C
Max. working pressure	According to buttweld ends standard (max. body pressure 63 bar), for steam applications and sterilisation max. 8 bar
Temperature range	-10°C + 150°C, optional up to 170°C (max. pressure for steam 8 bar)
CE	The ball valves BVP meet the safety requirements of the Pressure Equipments Directive 97/23/EC (PED) appendix 1 for fluids of the groups 1 and 2.

● Construction and dimensions:



1	Body (3 parts)	1.4435 ΔFe < 1%
2	Ball	1.4435 ΔFe < 1%
3	Seat ring	PTFE FDA or PTFE-SS FDA (for steam)
4	Seal ring	PTFE FDA
5	Washer	PTFE FDA
6	Stem seal self-adjusting	PTFE FDA
7	Stem	1.4435 ΔFe < 1%
8	Gland nut	AISI 316 (1.4401)
9	Seal ring	Silicone - FDA
10	Gland ring	AISI 316 (1.4401)
11	Bevel washer	Spring steel

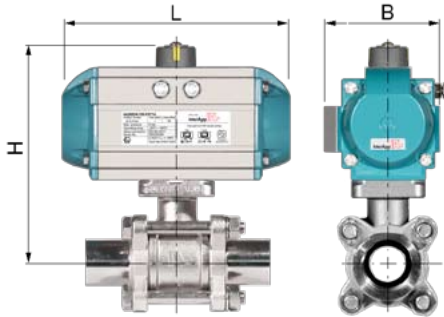
Type	Size	DN	L	H	h	T	□ V	S	Ø D	LS	ISO	kv[m³/h]	[kg]
BVP23FG.014.GGF	¼	8	95	40	7	9	9	1,6	13,5	23	F03+04	8,6	0,35
BVP23FG.038.GGF	⅜	10	95	40	7	9	9	1,6	17,2	23	F03+04	21	0,40
BVP23FG.012.GGF	½	15	100	40	7	9	9	1,6	21,3	25	F03+04	35	0,65
BVP23FG.034.GGF	¾	20	105	44	9	9	9	1,6	26,9	25	F03+04	46	0,80
BVP23FG.100.GGF	1	25	115	52	12	10	11	2,0	33,7	25	F04+05	72	1,20
BVP23FG.114.GGF	1¼	32	140	58	12	10	11	2,0	42,4	33	F04+05	105	1,95
BVP23FG.112.GGF	1½	40	150	68	16	13	14	2,0	48,3	33	F05+07	170	2,75
BVP23FG.200.GGF	2	50	170	77	16	13	14	2,0	60,3	33	F05+07	275	4,50
BVP23FG.212.GGF	2½	65	220	98	19	13	17	2,0	76,1	40	F07+10	507	8,90
BVP23FG.300.GGF	3	80	300	110	19	13	17	2,3	88,9	65	F07+10	905	12,9
BVP23FG.400.GGF	4	100	325	138	24	16	22	2,3	114,3	65	F10	1414	22,5

BVP GGF : Seat ring PTFE, FDA conform

BVP GGD : Seat ring PTFE-SS metal reinforced, FDA conform, for steam applications

BVP Ball valve for Pharma, Food and Biotech DN 10-100

● Dimensions:



Actuator selection for
 - standard PTFE seat ring,
 - working pressure 16 bar,
 - air supply pressure 6 bar.
 For other seat ring versions or other working conditions please contact our technical department.

BVP + IA...D (pneum. double acting actuator)

	Size	DN	L	B	H	[kg]
BVP23FG.014.GGF + IA050D.F0411 (R09)	¼	8	137	78,5	129	1,50
BVP23FG.038.GGF + IA050D.F0411 (R09)	⅜	10	137	78,5	129	1,55
BVP23FG.012.GGF + IA050D.F0411 (R09)	½	15	137	78,5	129	1,80
BVP23FG.034.GGF + IA050D.F0411 (R09)	¾	20	137	78,5	133	1,95
BVP23FG.100.GGF + IA050D.F03-F0511	1	25	137	78,5	141	2,35
BVP23FG.114.GGF + IA100D.F05-F0711	1¼	32	154	91,5	163	3,65
BVP23FG.112.GGF + IA100D.F05-F0714	1½	40	154	91,5	173	4,45
BVP23FG.200.GGF + IA200D.F05-F0714	2	50	204	105,0	192	7,40
BVP23FG.212.GGF + IA200D.F05-F0714	2½	65	204	105,0	220	11,8
BVP23FG.300.GGF + IA250D.F05-F0717	3	80	241	118,5	245	17,0
BVP23FG.400.GGF + IA300D.F07-F1022	4	100	259	130,5	285	28,1

BVP + IA...S (pneum. single acting actuator)

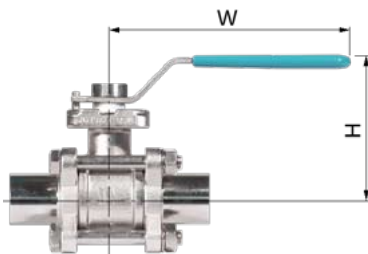
	Size	DN	L	B	H	[kg]
BVP23FG.014.GGF + IA050S12.F0411 (R09)	¼	8	137	78,5	129	1,62
BVP23FG.038.GGF + IA050S12.F0411 (R09)	⅜	10	137	78,5	129	1,67
BVP23FG.012.GGF + IA050S12.F0411 (R09)	½	15	137	78,5	129	1,92
BVP23FG.034.GGF + IA100S12.F0411 (R09)	¾	20	154	91,5	149	2,70
BVP23FG.100.GGF + IA100S12.F05-F0711	1	25	154	91,5	157	3,10
BVP23FG.114.GGF + IA200S12.F05-F0711	1¼	32	204	105,0	180	5,25
BVP23FG.112.GGF + IA200S12.F05-F0714	1½	40	204	105,0	190	6,05
BVP23FG.200.GGF + IA250S12.F05-F0714	2	50	241	118,5	212	9,20
BVP23FG.212.GGF + IA250S12.F05-F0717	2½	65	241	118,5	233	13,6
BVP23FG.300.GGF + IA300S12.F07-F1017	3	80	259	130,5	257	19,4
BVP23FG.400.GGF + IA350S12.F07-F1022	4	100	304	148,5	313	32,5

For temperatures >100°C a mounting bracket with adapter is mounted between ball valve and actuator. Please add the following values to dimension H:

DN10 - 20 +50mm
 DN25 - 50 +60mm
 DN65 - 100 +80mm

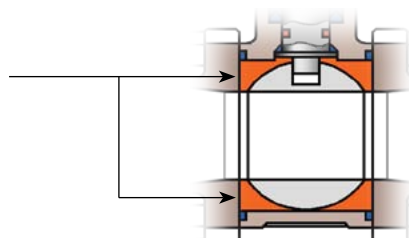
BVP + HLS (hand lever 1.4401)

	Size	DN	W	H	[kg]
BVP23FG.014.GGF + HLS	¼	8	125	77	
BVP23FG.038.GGF + HLS	⅜	10	125	77	
BVP23FG.012.GGF + HLS	½	15	125	77	
BVP23FG.034.GGF + HLS	¾	20	125	80	
BVP23FG.100.GGF + HLS	1	25	140	96	
BVP23FG.114.GGF + HLS	1¼	32	140	101	
BVP23FG.112.GGF + HLS	1½	40	200	116	
BVP23FG.200.GGF + HLS	2	50	200	124	
BVP23FG.212.GGF + HLS	2½	65	250	198	
BVP23FG.300.GGF + HLS	3	80	250	223	



Option:

- very low dead volume
- Not for steam applications**





Switzerland

InterApp AG
Grundstrasse 24
CH-6343 Rotkreuz

Tel. +41 (0)41 798 22 33
Fax +41 (0)41 798 22 34
info@ch.interapp.net



Austria

InterApp Ges.m.b.H.
Kolpingstraße 19
A-1230 Wien

Tel. +43 (0)1 616 23 71 0
Fax +43 (0)1 616 23 71 99
info@at.interapp.net



Italy

InterApp Italiana S.r.l.
Via A. Gramsci 29
I-20016 Pero (Milano)

Tel. +39 02 33 93 71
Fax +39 02 33 93 7200
info@it.interapp.net



Spain

InterApp Válvulas S.A.
Igarsa 40
E-28860 Paracuellos de Jarama

Tel. +34 (0)91 6584360
Fax +34 (0)91 6581430
info@es.interapp.net



Hungary

InterApp Kft
Bécsi út 100
H-1034 Budapest

Tel. +36 (1) 436 9702
Fax +36 (1) 436 9700
info@hu.interapp.net



The technical data are noncommittal and do not assure you of any properties. Please refer to our general sales conditions.

Modifications without notice

Copyright © by InterApp